



home office

00

CONTENTS

01

Introduction 04

02

Innovation 06

03

Technical specifications 12

Design 16

Colours 18

Ergonomics 28

Technology 30

Accessories 35

Beakart 38

04

Assembly 40

05

Models 42

Conference 42

Work 43

06

Contact 44

At BEAKTOR (*beek-tor*), our mission is to help people complete their transition to remote working.

BEAKTOR designs and creates environmentally friendly workstations and accompanying tools that optimise space, simplify lives, and protect health and well-being.



BEAKTOR

open to the challenge

01

INTRODUCTION

On 11 March 2020, the World Health Organization declared the outbreak of a novel coronavirus pandemic, in response to the alarming spread of infection across the globe.

The restrictions brought about by COVID-19 have changed the way we live, and the way we use our homes. In particular, the need to adapt to new confinements has impacted the way we work and study.

Watching the events that were beginning to unfold, we saw an opportunity to correct and improve our work and study conditions, while restoring balance to our homes. Rising to the challenge of developing a high-quality, comprehensive solution to live up to this new reality, we created BEAKTOR®.

BEAKTOR is first and foremost a tool, a unique piece of furniture that combines design, technology and ergonomics while maintaining a sense of space, order, and beauty in our homes.

BEAKTOR was created for you. It was created for students, freelancers, digital designers, academics, entrepreneurs, and professionals of small, medium, and large enterprises. It was created for everyone.

BEAKTOR strives to boost productivity and help us achieve the best results when working together.



“DESIGN IS THE CONSCIOUS EFFORT TO IMPOSE A MEANINGFUL ORDER”

Victor Papanek - Designer, pioneer of socially and ecologically oriented design

02

DESIGNED FOR THE NEW NORMAL

When we create a space to satisfy our needs and express ourselves, we enrich our lives. This highlights the importance of design as a starting point.

BEAKTOR was conceived to replicate the best bits of the office environment at home, integrating the basic requirements to work or study in an organised, comfortable, and safe way.

Real-time contact has been greatly facilitated by videocalls, collaboration tools, and the interconnectivity offered by multiple devices. This has made remote working not only feasible, but a positive, often attractive, experience.

Working remotely represents a fantastic opportunity to increase our quality of life, productivity, and performance. Several studies have shown that it can be just as beneficial for companies, given the positive financial impact of saving on overheads, travel and time.

Companies such as Google, Twitter, Shopify, BlackRock and Facebook have all made a virtue out of these challenges, embracing full-time or hybrid models of working from home indefinitely.

Yet to find the most optimal way of working remotely, we must satisfy two basic conditions. The first, to

harness the right technologies. The second, to identify the right spatial context to fulfil our tasks. This has a positive impact on our mood, motivation, and results.

BEAKTOR was created to fulfil both needs, while complying with the regulations and standards required to work in the best possible conditions of space, ergonomics, digital and electrical connectivity, and lighting.

Our aim is to provide anyone working from home with a more comfortable, safe, and healthy environment, and to equip companies with an essential tool that helps bridge the office-home gap.





“THE NEW NORMAL: CALIBRATING THE
IN-OFFICE EXPERIENCE AT HOME”

Mickey Mikitani - CEO Rakuten, Inc.



03

YOUR OFFICE IN A SINGLE PIECE OF FURNITURE

BEAKTOR is a smart desk that takes up less than 1m².

It provides the ultimate physical interface for all aspects of remote working.

Its size makes it a perfect addition to any home, while its shape and choice of materials compliment all interior design styles.

BEAKTOR is made up of three parts:

1. Frame
2. Work surface
3. Control panel

Each element has been carefully designed to create a unique piece of easy-to-install, highly functional and environmentally friendly furniture.

A++ Energy rating A++
0.10 kW/h



* Discover our FSC® certified products at www.beaktor.com. Our certified products are made on request.



Control panel: The sustainable cork panel has great acoustic properties, and the perforated surface allows you to use our accessories to adjust devices and documents to your eye level. It serves as a base for sockets, videoconferencing lights, and lighting controls.

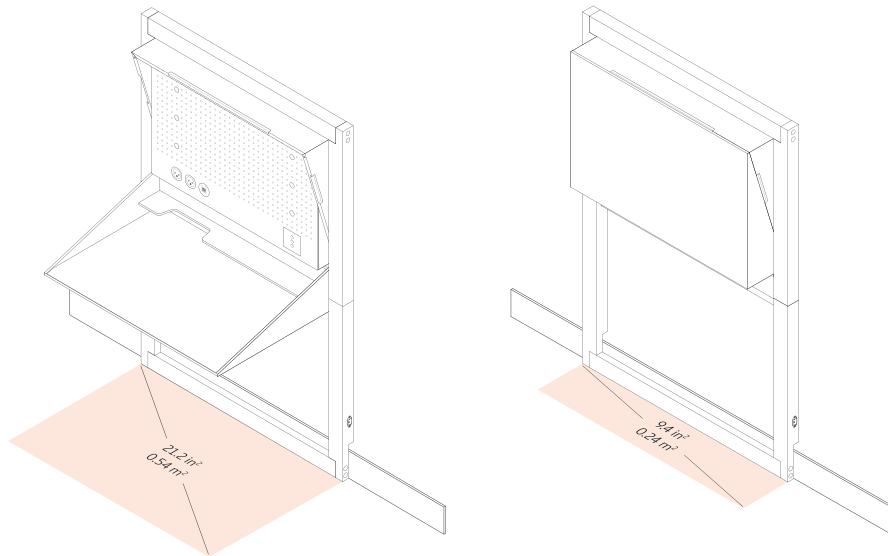
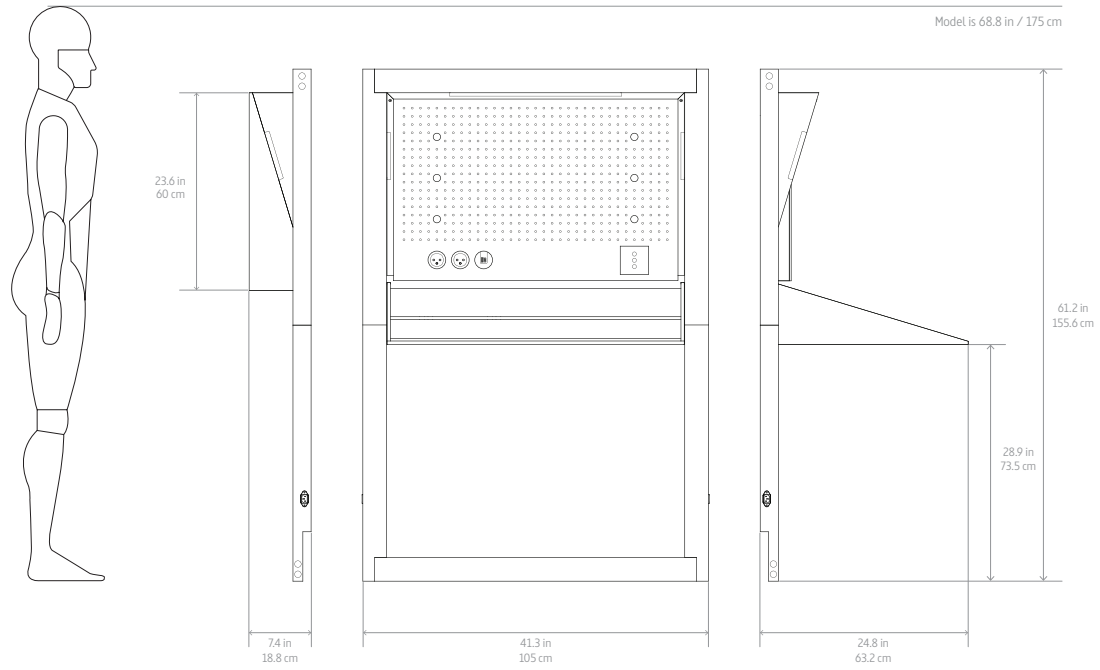
“DESIGNING IS THE SEARCH FOR MAXIMUM HUMAN BENEFIT WITH MINIMUM USE OF MATERIALS”

Richard Buckminster Fuller - Architect and futurist



Work surface: Our antibacterial, anti-reflective material makes it safe, and easy to clean. Its proportions and technical specifications adhere to the latest standards, technical requirements, and regulations that help prevent occupational hazards.

Frame: The strength and durability of the ash wood frame are part of BEAKTOR's identity and structural integrity. Sockets located on either side of the frame offer you the flexibility to connect to the most convenient power supply up to 59.1 in (1.5 m) away, avoiding messy or potentially hazardous cables.

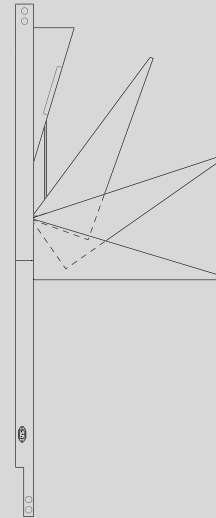


03

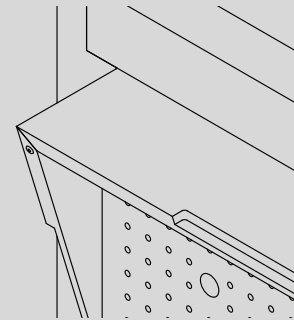
UNIQUE AND INNOVATIVE DESIGN

BEAKTOR's exceptional design allows users to benefit from the best possible work or study experience. It complies with all ergonomic and anthropometric standards, combining aesthetics, functionality, and technology in one piece of furniture.

It is precisely this attention to detail that makes BEAKTOR such an innovative, indispensable platform for remote working.



A soft open mechanism built into both sides of the wooden frame cushions the opening when the work surface is unfolded.



The frame and housing have a built-in magnetic locking system that, when opened or closed, allows the articulated parts to remain fixed, providing security and simplicity during the assembly process and in daily use.



03

COLOURS

The BEAKTOR work surface is available in four colours, each carefully chosen to generate a positive mood that enhances productivity and helps mitigate eye strain.

The frame and control panel combine the natural look of ash with pale grey and white, harmonising easily with all types of domestic environment.



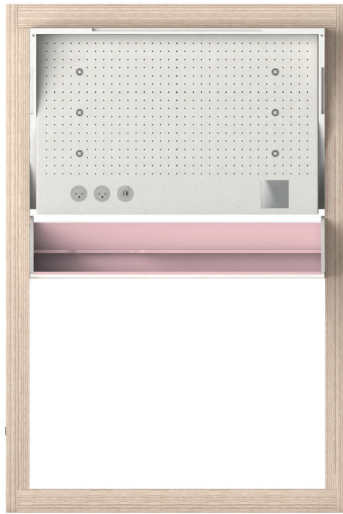
#6A99BA

INFINITY BLUE

Balanced and serene, this blue is exceptionally helpful for concentration.

It is ideal for those seeking order and efficiency in a happy, healthy work environment.

We especially recommend it for anyone who considers productivity a priority.



#F2C7CB

SILK ROSE

Gentle, relaxing, and sincere, this shade of pink is a real boost to brainpower.

It offers balance and naturalness to create a peaceful and stable work environment.

This tone is recommended for people who work under pressure and put in long hours.



#BFD0C8

SPRING GREEN

Inspiring, optimistic, and efficient, this shade of green stimulates innovation.

It is ideal for those who require acumen and creativity in their work.

Easy on the eye, it suits anyone looking for a breath of fresh air to activate their imagination.



#B5B3B3

MOON GREY

A thoughtful, timeless tone, ideal for those who seek calmness in their daily lives.

This colour is for people who require an orderly, balanced, or analytical environment.

If you have a longer circadian rhythm, or value the peace of working at night, this is for you.

03

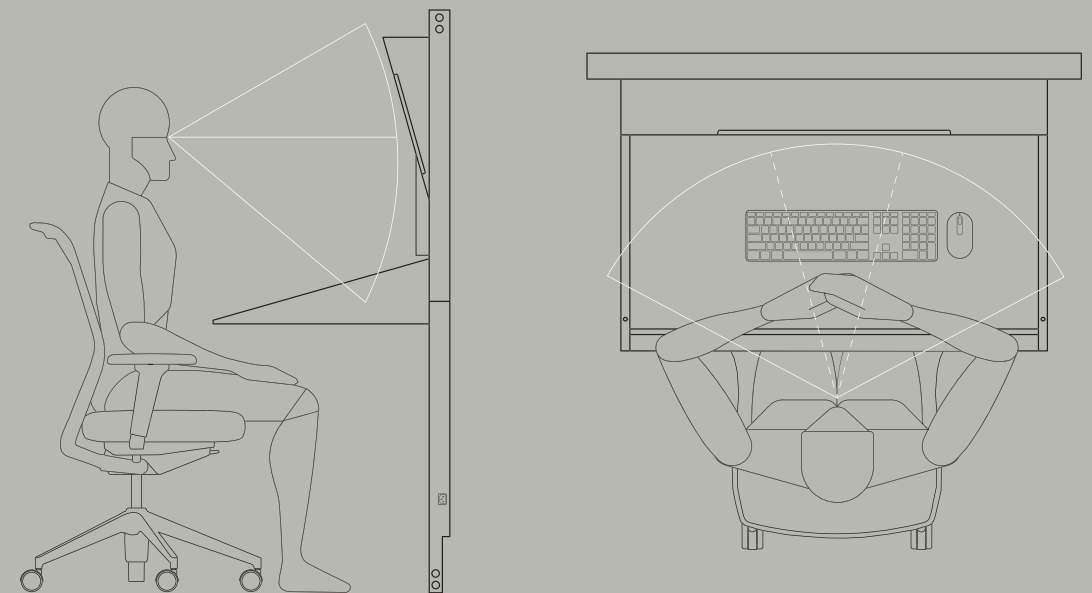
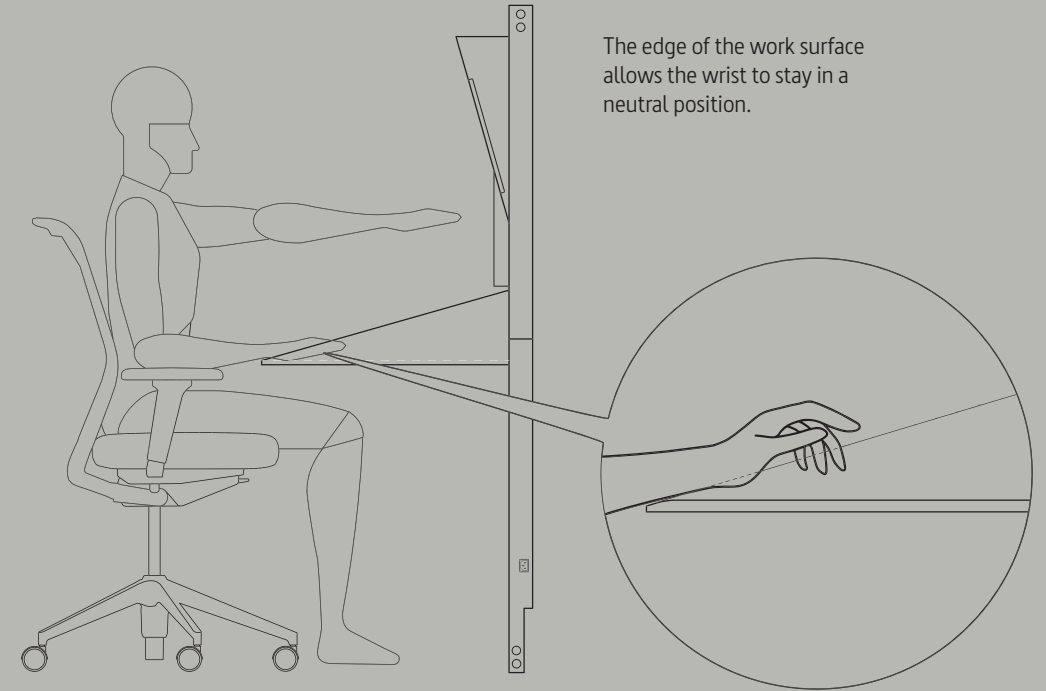
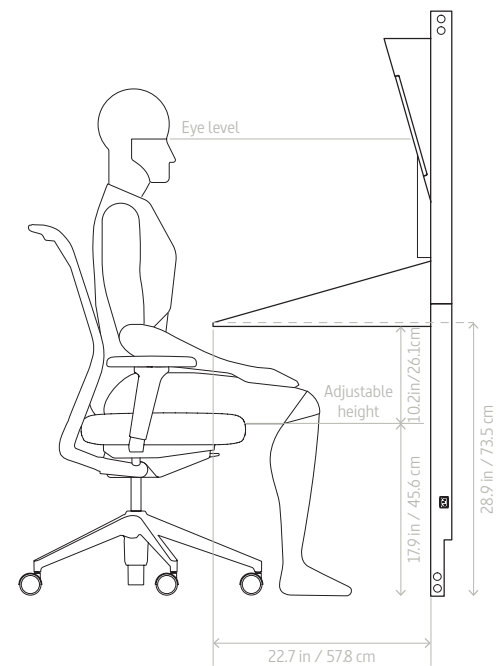
ERGONOMIC DESIGN

BEAKTOR's design reflects the ergonomic principles that counteract physical static-postural and visual stress, promoting comfort and preventing visual fatigue and musculoskeletal disorders.

Anthropometrically, the size, shape, and adjustability are reflected in BEAKTOR's work surface and control panel. These allow the user to place all desktop items and workstation components within optimal reach, making it easier to adopt ergonomic postures and comfort angles for the various parts of the body.

“GOOD ERGONOMIC WORKPLACE DESIGN WILL BOOST PRODUCTIVITY”

Dr. Alan Hedge - Ergonomics Expert, Cornell University



BEAKTOR's vertical design favours acoustic, thermal and light comfort by incorporating perforated cork board and direct or diffuse lighting with a high colour rendering index (CRI>90).

To combat eye strain, BEAKTOR sets an 'eye-to-screen' distance of around 23 in/60 cm and an optimal field of vision in both the vertical and horizontal planes.



03

USABILITY ADAPTED TO A NEW REALITY

BEAKTOR makes the day-to-day interaction between user and workstation as comfortable and intuitive as possible, always connected to innovation and the needs of remote working.

LIGHTING

Lighting is one of BEAKTOR's defining characteristics. The upper section has a carefully positioned light source that provides a uniform distribution of light across the work surface.

Six built-in LED lights on the Conference model control panel optimise lighting when making video calls.

The integrated lighting in the lower section is designed to promote rest and relaxation. The lighting system is controlled through an intuitive touch panel.



INTEGRATION

BEAKTOR lets you connect any device equipped with USB-C ports. E-type sockets are included for increased safety in homes with children or pets.*



“TIDY YOUR SPACE, TRANSFORM YOUR LIFE”

Marie Kondo - Organising expert

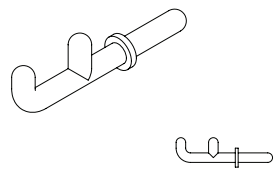


* The appropriate electrical sockets will be installed for different markets, following the standards and regulations of each country.

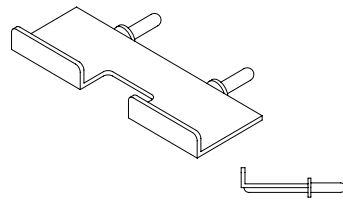
03

ACCESSORIES

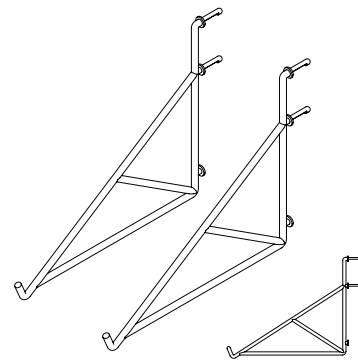
The BEAKTOR control panel is completely adjustable. It can accommodate different accessories designed to fit the perforated surface, supporting screens, mobiles, tablets, documents, and other lightweight desktop items.

**HOOK**

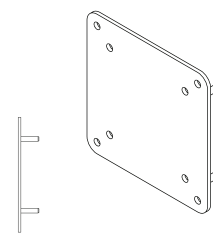
Multipurpose F-shaped supports are perfect for holding mobiles, tablets, and paper documents at a height best suited the user.

**ANCHOR**

Useful for positioning mobiles and tablets, the central opening allows you to connect your charger without having to remove it from the holder.

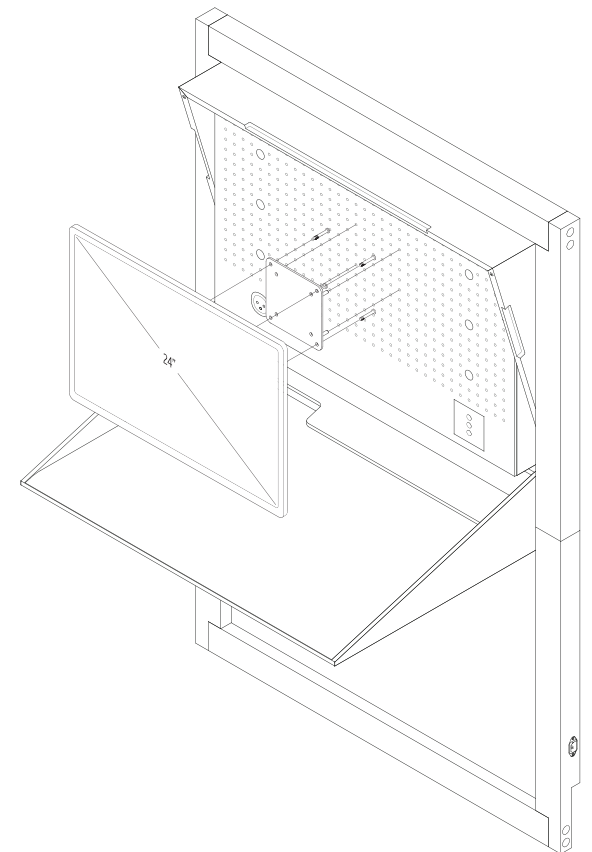
**LAPDECK**

Designed to offer greater ergonomics and keep laptop screens at eye level, it helps avoid muscle contractions and potential cervical injuries. It should be accompanied by a keyboard and mouse, or trackpad.

**BIGPICTURE**

This mounting bracket is designed for anyone who wants to permanently fix any type of flat screen or all-in-one PC * to the control panel.

* Up to 24" with the Conference model or 27" with the Work model. Compatible with Flat Display Mounting Interface Standard (FDMI / MIS-D and MIS-E).



03

BEAKART

Your BEAKTOR can be customised and turned into an 'easel' with Beakart, a magnetic film that creates an easy to install, easy to remove protective skin.

Create a BEAKART collection and change it as many times as you like, allowing BEAKTOR to become a stunning work of art or a complementary piece of home decor.



04

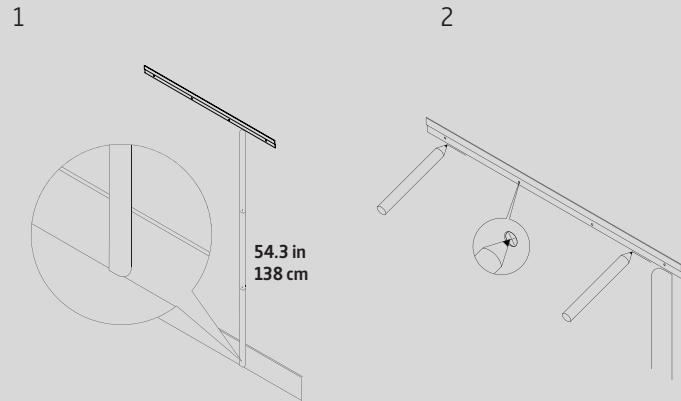
EVERYTHING IS EASY WITH BEAKTOR

BEAKTOR arrives conveniently folded, its efficient design and packaging help reduce environmental impact.

REQUIRED TOOLS



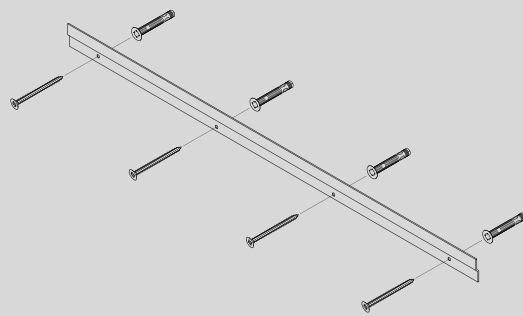
STEP 01



MARK THE HEIGHT

Using a pencil and the 53.3 in (138 cm) ruler found inside the packaging, mark both ends of the plate bracket, so it is level. Once level, mark the holes through the plate. Any sockets should be no further than 59.1 in (1.5 m) away from either side of the frame.

STEP 02

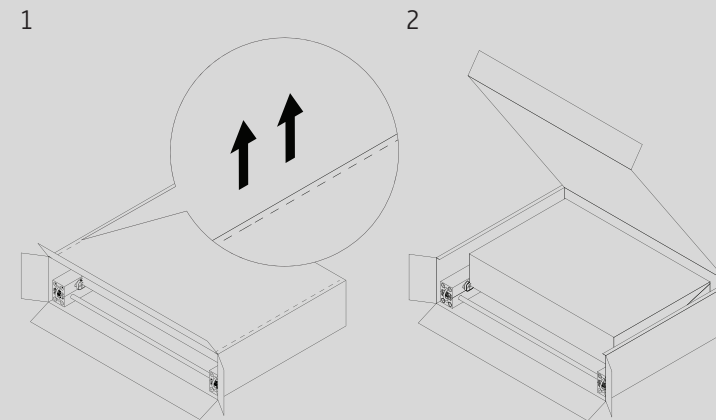


SCREW IN THE PLATE

Once the holes are marked in pencil, use a drill to make the holes in the wall. Insert the wall plugs and fix the plate bracket. *

* The universal plugs included are suitable for fixing into all building materials such as brick, masonry, stud, wood, or other walls and partitions.

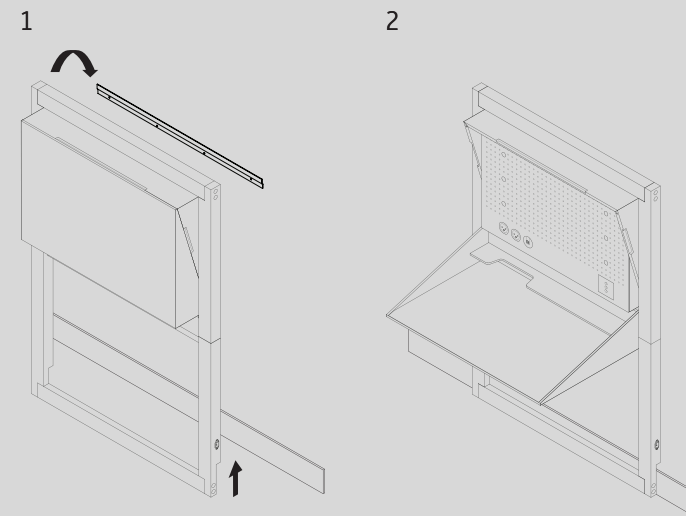
STEP 03



DISCOVER THE CONTENTS

Once the plate bracket has been fixed to the wall, support the box by keeping the cut marks pointing upwards and carefully pull to open the box until the BEAKTOR is revealed.

STEP 04



HANG THE BEAKTOR

Supporting both sides, lift the unit and hang it on to the plate bracket, so that it connects with the corresponding plate on the BEAKTOR's reverse. That's it! Connect to the power source, open it up, and customise to your needs.



CONFERENCE

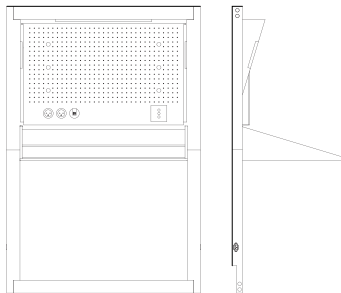
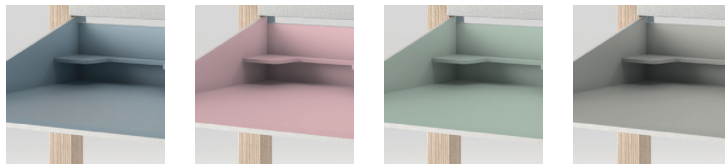
SIZE 41.3 x 61.2 x 7.4 in
105 x 155.6 x 18.8 cm

WEIGHT 87 lb / 39.50 kg

MATERIALS Ash wood
Lacquered steel
Cork & jute
HPL

POWER 2 Sockets
1 USB-C
1 USB-A

LIGHTING Work
Conference
Wellness



WORK

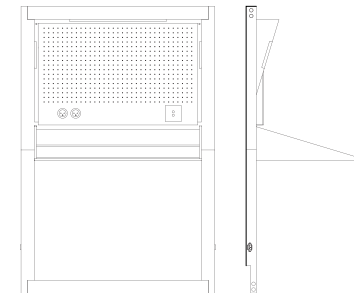
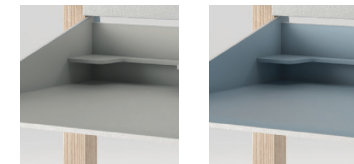
SIZE 41.3 x 61.2 x 7.4 in
105 x 155.6 x 18.8 cm

WEIGHT 87 lb / 39.50 kg

MATERIALS Ash wood
Lacquered steel
Cork & jute
HPL

POWER 2 Sockets

LIGHTING Work
Wellness







06

CONTACT

mybeaktor@beaktor.com
Tel: +34 629 876 024

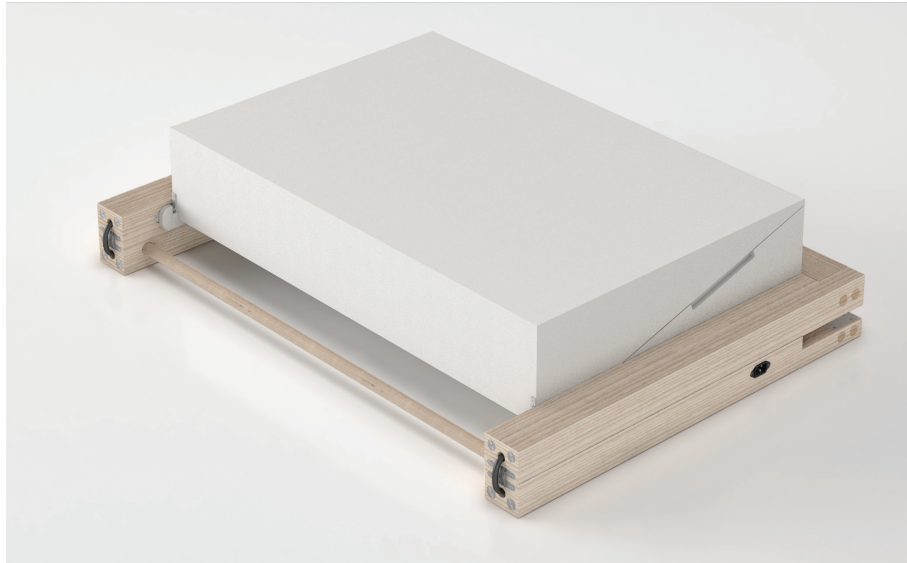
Julián Camarillo, 47 Local A-208
28037 Madrid
Tel: +34 910 840 633

Follow us:

-  @iambeaktor
-  @iambeaktor
-  facebook.com/iambeaktor
-  linkedin.com/company/beaktor

Discover more at
www.beaktor.com





“SPACE IS THE GREATEST THING, AS IT CONTAINS ALL THINGS”

Tales of Miletus - Greek philosopher and mathematician





V04/2021